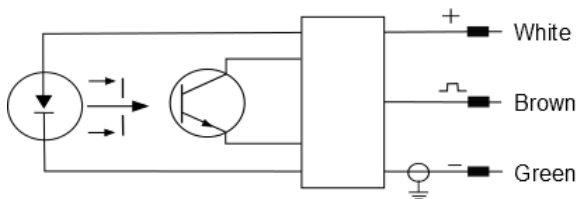


Technical details of the IR-Opflow turbine flowmeter

Flowmeter specifications

Measurement range	Type	Range (L/min)	K-factor (pulses/L)	Frequency (Hz)
	1*	0.1 - 2	36000	60 - 1200
	2*	0.3 - 9	8000	40 - 1200
	3*	0.5 - 15	3200	26.66 - 800
	4	1.0 - 30	1200	20 - 600
	5	2.5 - 75	450	18.75 - 562
	6	4.0 - 120	225	15 - 450
Accuracy	10 series \pm 1% of measured value 30 series \pm 3% of measured value			
Temperature range	-40 to +85 degrees Celcius			
Maximum pressure	10 bar			
Viscosity	Maximum 15 cSt (depending on measurement range)			
Process connection	BSP NPT Flexible hose fitting			
Materials	All wetted parts manufactured from PVDF			
Power supply	5 – 12 VDC, 6 – 33 mA 8 – 24 VDC, 18 – 30 mA			
Pulse output	Push – Pull			
Maximum load	2k2 Ω			
Signal generation	Optoelectronic (Infrared)			
Signal cable	Standard length 100cm, other lengths on request.			

*Available with replaceable turbine (cartridge) in combination with hose fitting connection



Connectors

BSP or NPT connector See Fig 1	Type	Dimensions (mm)			
		A	D	d	L
	1	9.5	1/4"	6.5	39
	2	12.7	1/2"	13	47
	3	12.7	1/2"	13	47
	4	18.5	3/4"	17	63
	5	24.5	1 1/4"	29	80
	6	24.5	1 1/4"	29	80

Flexible hose fitting connector. See Fig. 2		Dimensions (mm)							
		A	D	E	F	G	H	L	Tot. L
	1	9.0	M12 x 1.5	8.7	1.5	6.5	6.9	39	96
	2	12.0	M20 x 2	16.0	1.8	12.0	9.0	43	112
	3	12.0	M20 x 2	16.0	1.8	12.0	12.0	43	116
	4	16.0	M27 x 2	21.0	2.3	16.0	16.0	57	136
	5	16.5	BSP 1* P1	29.4	1.6	24.5	19.5	80	182
	6	16.5	BSP 1* P1	29.4	1.6	24.5	24.5	80	183

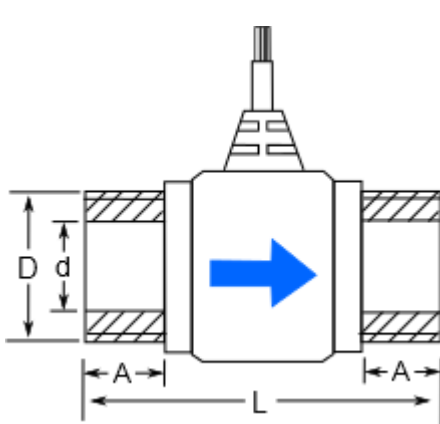


Figure 1: Dimensions of the IR-Opflow with BSP or NPT connector

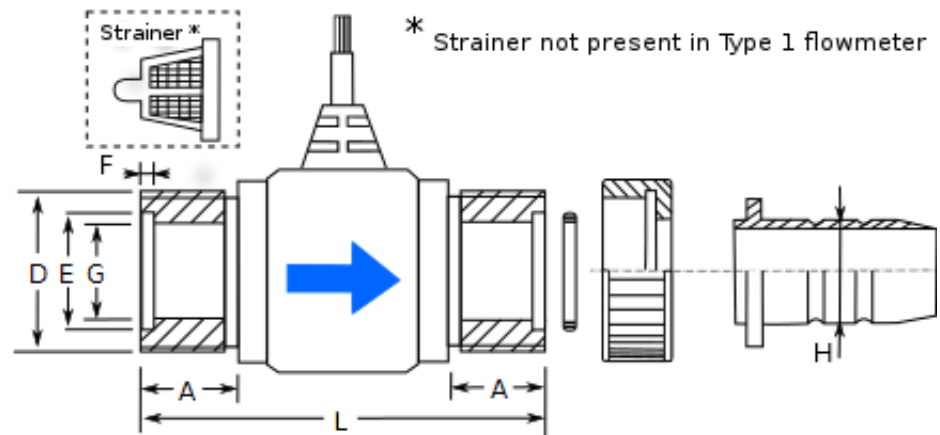


Figure 2: Dimensions of the IR-Opflow with flexible hose fitting connector